

# 2MP 22x Starlight WDR Network IR Bullet Camera

IPC252ERA-X22DUP



## Key Features

### Optics

- Starlight illumination
- Accurate and fast focusing
- Smart IR, up to 200 m (656 ft) IR distance
- Up to 120 dB WDR(Wide Dynamic Range)
- Auto day/night functionality
- Optical glass window with higher light transmittance
- IR anti-reflection window to increase the infrared transmittance

### Compression

- Ultra 265, H.265, H.264, MJPEG
- Embedded smart algorithm
- Triple Streams
- ROI (Region of Interest)
- 9:16 corridor format
- Customized OSD

### Network

- ONVIF Conformance

## Structure

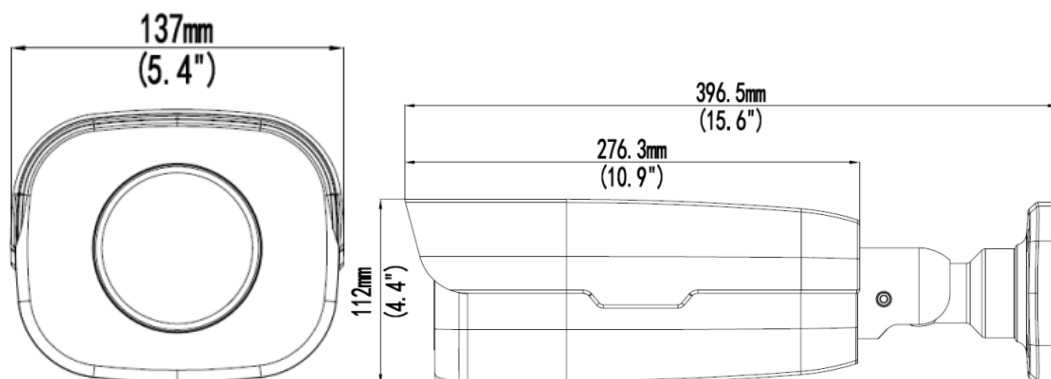
- Wide temperature range: -40°C to 60°C (-40°F to 140°F)
- Wide voltage range of ±25%
- IP67

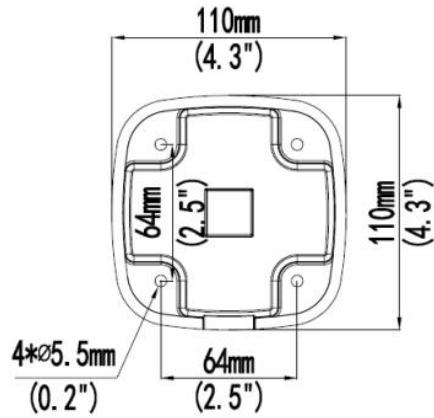
## Specifications

IPC252ERA-X22DUP	
<b>Camera</b>	
Sensor	1/1.9", progressive scan , 2.0 megapixel, CMOS
Lens	6.5 ~ 143 mm(22 x optical zoom ), AF automatic focusing and motorized zoom lens
Angle of view(H)	59°(wide) ~ 3°(tele)
Shutter	Auto/Manual, 1/6~1/100000 s
Minimum Illumination	Colour: 0.001 Lux (F1.5, AGC ON) 0 Lux with IR
Iris	Auto/Manual, F1.5~F3.4, DC-Iris
Day/Night	IR-cut filter with auto switch (ICR)
Digital noise reduction	2D/3D DNR
S/N	>52 dB
IR Range	up to 200 m (656 ft) IR range
Defog	Digital Defog
WDR	120dB
<b>Video</b>	
Video Compression	Ultra 265, H.265, H.264, MJPEG
H.264 code profile	Baseline profile, Main Profile, High Profile
Frame Rate	Main Stream:2MP (1920×1080):Max. 60 fps; Sub Stream:2MP (1920×1080):Max. 60 fps; Third Stream: D1 (720×576): Max. 60 fps
9:16 Corridor Mode	Supported
ROI	Supported
HLC	Supported
BLC	Supported
OSD	Up to 8 OSDs
Motion Detection	Up to 4 areas
Privacy Mask	Up to 8 areas
<b>Smart</b>	
Behavior Detection	Intrusion, cross line, motion detection
Exception Detection	Audio detection
Intelligent Identification	Face detection, Defocus, Scene Change
Statistical Analysis	People counting
General Function	Watermark, IP Address Filtering, Tampering Alarm, Alarm input, Alarm output, Access Policy, ARP Protection, RTSP Authentication, User Authentication

Audio	
Audio Compression	G.711
Two-way audio	Supported
Suppression	Supported
Sampling Rate	8 KHZ
Storage	
Edge Storage	Micro SD, up to 128 GB
Network Storage	ANR
Network	
Protocols	IPv4, IGMP, ICMP, ARP, TCP, UDP, DHCP, PPPoE, RTP, RTSP, RTCP, DNS, DDNS, NTP, FTP, UPnP, HTTP, HTTPS, SMTP, 802.1x, SNMP
Compatible Integration	ONVIF(Profile S, Profile G), API
Interface	
Audio I/O	Audio cable
	1 Input: impedance 35 kΩ; amplitude 2 V [p-p]
	1 Output: impedance 600 Ω; amplitude 2 V [p-p]
Alarm I/O	2 / 1
Serial Port	1 RS485
Network	1 RJ45 10M/100M Base-TX Ethernet
Video Output	1 BNC, impedance 75 Ω; amplitude 1 V [p-p]
General	
Power	24 V AC ±25%, PoE+ (IEEE802.3at)
	Power consumption: Max 21W
Dimensions (L × W × H)	396.5 × 137 × 112mm (15.6" × 5.4" × 4.4")
Weight	3.7 kg (8.2 lb)
Working Environment	-40°C ~ +60°C (-40°F ~ 140°F), Humidity ≤ 95% RH(non-condensing)
Ingress Protection	IP67
Reset Button	Supported

## Dimensions





## Accessories

Installation mode	Accessories	Description
Wall mount	\	Mounting pedestal is included in the Product package
Ceiling mount	\	Mounting pedestal is included in the Product package
Rail mount	TR-UP06-A-IN	For outdoor rail installation
Pole mount	TR-UP06-A-IN	For outdoor pole installation

### Zhejiang Uniview Technologies Co.,Ltd.

South Tower, Building 10, Wanlun Science Park, 88 Jiangling Road, Hangzhou, P.R.China 310051

Email: [overseasbusiness@uniview.com](mailto:overseasbusiness@uniview.com); [globalsupport@uniview.com](mailto:globalsupport@uniview.com)

<http://www.uniview.com>

©2017 Zhejiang Uniview Technologies Co.,Ltd. All rights reserved.

\*Product specifications and availability are subject to change without notice.