

2MP 22x Indoor Network PTZ Dome Camera

IPC6222EI-X22UP-C



Key Features

Optics

- Starlight illumination
- 22x optical zoom
- Accurate and fast focusing

Compression

- Ultra 265, H.265, H.264, MJPEG
- Embedded smart algorithm
- Triple streams
- Customized OSD

Network

- ONVIF Conformance

Structure

- Fast installation structure design
- Intelligent temperature control technology
- 6 KV surge protection designed for network interface
- IK10 vandal resistant
- IP65

Specifications

	IPC6222EI-X22UP-C
Camera	
Sensor	1/2.8", progressive scan, 2.0megapixel, CMOS
Lens	5.2 ~ 114.4mm (22x optical zoom), AF automatic focusing and motorized zoom lens
Angle of View (H)	55.9° (wide) ~ 3.4° (tele)
Shutter	Auto/Manual; shutter time: 1/6 s ~ 1/100000 s
Minimum Illumination	Colour: 0.001 lux (F1.5, AGC ON) B/W: 0.001 lux(F1.5, AGC ON)
Iris	Auto/Manual; F1.5 ~ F3.0
Day/Night	IR-cut filter with auto switch (ICR)
Digital noise reduction	2D/3D DNR
S/N	>52dB
Defog	Digital Defog
WDR	120dB
Video	
Video Compression	Ultra 265,H.265, H.264, MJPEG
H.264 code profile	Baseline profile, Main Profile, High Profile
Frame Rate	Main Stream:2MP (1920×1080):Max. 30 fps; Sub Stream:2MP (1920×1080):Max. 30 fps; Third Stream: D1 (720×576): Max. 30 fps
HLC	Supported
BLC	Supported
OSD	Up to 8 OSDs
Privacy Mask	Up to 8 areas
ROI	Up to 8 areas
Motion Detection	Up to 4 areas
Smart	
Behavior Detection	Intrusion, cross line, motion detection
Exception Detection	Audio detection
Intelligent Identification	Face detection
Statistical Analysis	People counting
General Function	Watermark, IP Address Filtering, Tampering Alarm, Alarm input, Alarm output, Access Policy, ARP Protection, RTSP Authentication, User Authentication
Audio	
Audio Compression	G.711
Two-way audio	Supported
Suppression	Supported
Sampling Rate	8 KHZ
Storage	
Edge Storage	Micro SD, up to 128 GB
Network Storage	ANR

Network

Protocols	IPv4, IGMP, ICMP, ARP, TCP, UDP, DHCP, PPPoE, RTP, RTSP, RTCP, DNS, DDNS, NTP, FTP, UPnP, HTTP, HTTPS, SMTP, 802.1x, SNMP
Compatible Integration	ONVIF(Profile S, Profile G), API

Pan & Tilt

Pan Range	360° (endless)
Pan Speed	0.1°/s ~ 400°/s
	Preset speed:540°/s
Tilt Range	-18° ~ +90° (auto reverse)
Tilt Speed	0.1° ~ 240°/s
	Preset speed: 400°/s
Number of Presets	1024
Patrol	Preset patrol, route patrol, recorded patrol
Home Position	Supported

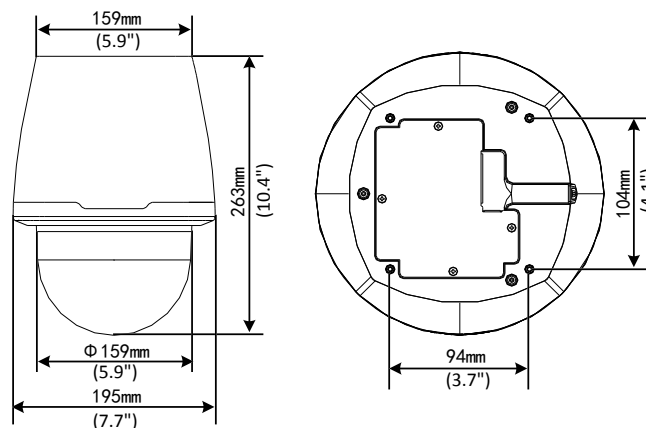
Interface

Audio I/O	Audio cable
	1 Input: impedance 35 kΩ; amplitude 2 V [p-p]
	1 Output: impedance 600 Ω; amplitude 2 V [p-p]
Alarm I/O	2/ 1
Serial Port	1 RS485
Network	1 RJ45 10M/100M Base-TX Ethernet
Video Output	1 BNC, impedance 75 Ω; amplitude 1 V [p-p]

General

Power	24 V AC±25%, 24 V DC±25%, PoE (IEEE802.3 at)
	Power consumption: 8~ 20W
Dimensions(ØxH)	Ø195 x 263 mm (Ø7.7" x 10.4")
Weight	4.2 kg (9.3 lb)
Working Environment	-20°C ~ +50°C (-4°F ~ 122°F), Humidity:10%~ 95% RH(non-condensing)
Ingress Protection	IP65
Vandal Resistant	IK10

Dimensions



Accessories

Installation mode	Accessories	Description
In-ceiling mount	TR-FM200-IN	/
Indoor pendent mount	TR-UF45-C-IN+TR-CE45-IN	/
Indoor Wall mount	TR-UF45-C-IN+TR-WE45-IN(shorter bracket) TR-UF45-C-IN+TR-WE45-A-IN(longer bracket) TR-UF45-C-IN+TR-WE45-B-IN(sawn neck bracket)	/

Zhejiang Uniview Technologies Co., Ltd.

South Tower, Building 10, Wanlun Science Park, 88 Jiangling Road, Hangzhou, P.R.China 310051

Email: overseasbusiness@uniview.com; globalsupport@uniview.com

<http://www.uniview.com>

©2017 Zhejiang Uniview Technologies Co., Ltd. All rights reserved.

*Product specifications and availability are subject to change without notice.